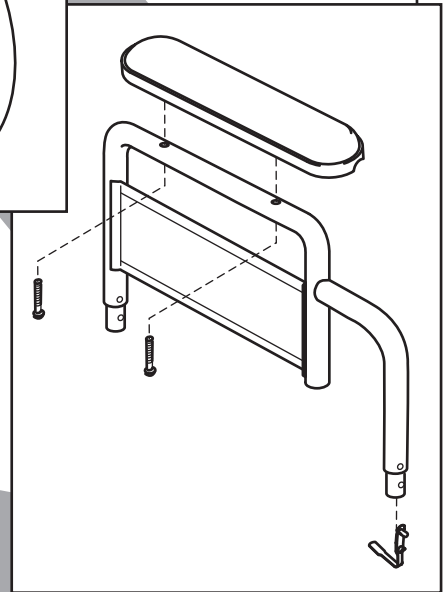
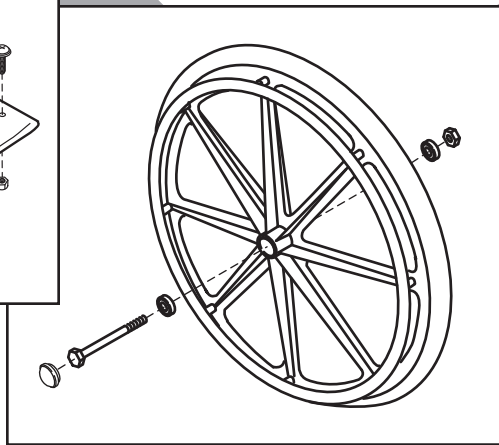
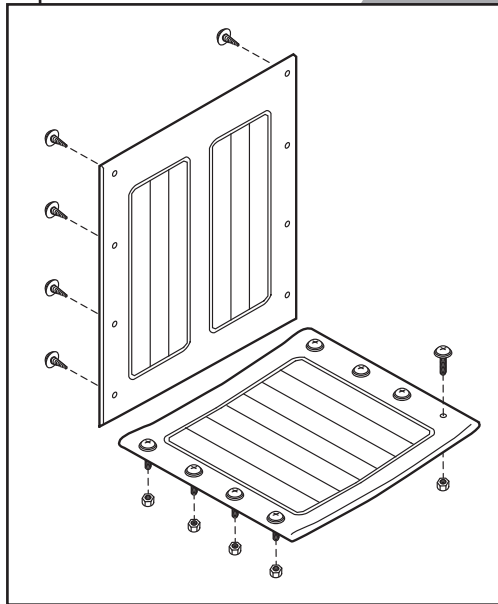


VISTA® IC

PARTS CATALOG



CONTENTS

SIDEFAME (FIXED ARM), CROSSBRACE & ARM PAD KIT	3
SIDEFAME (DETACHABLE ARM) & CROSSBRACE	4
ARM, DETACHABLE	5
UPHOLSTERY (ALL SIDEFAMES).....	6
FRONT RIGGING.....	6
CASTER.....	7
REAR WHEEL.....	7
ACCESSORIES.....	7

TO ORDER

Tel: 800-347-5678 • Fax: 800-726-0601

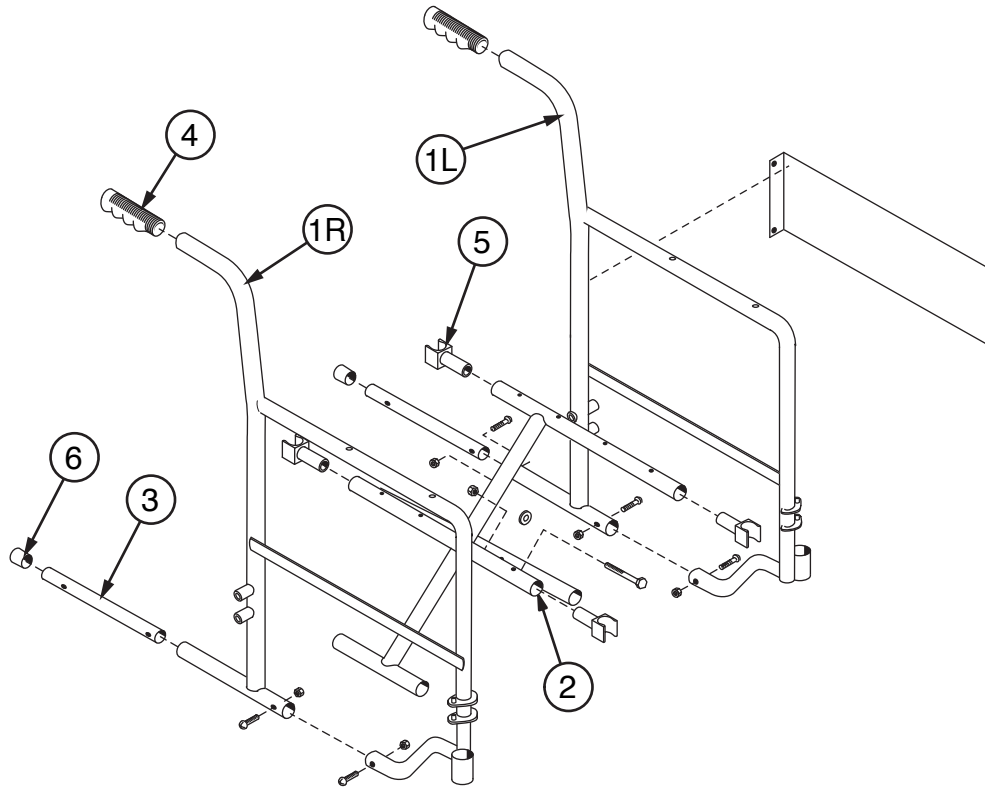
Returns: Parts may not be returned without prior authorization from GF Health Products, Inc. Custom parts cannot be returned for credit. Please refer to GF Health Products, Inc. [Terms and Conditions](#) for further information.

All illustrations and specifications contained in this catalog are based on the latest product information available at the time of the printing. GF Health Products, Inc. is not responsible for typographical errors. Packaging, warranties and products are subject to change without notice. When ordering parts from this catalog, we suggest that you check with our Customer Service Department to ensure that you have the latest revision level of this catalog, which is printed below each page number. GF Health Products, Inc. reserves the right to make changes at any time without notice.

Everest & Jennings, Vista, GF and Graham-Field are registered trademarks of GF Health Products, Inc.

© 2006, GF Health Products, Inc., All Rights Reserved.

SIDEFRADE (FIXED ARM), CROSSBRACE & ARM PAD KIT



**1 Sideframe, fixed arm, all widths
(includes side panel)**

Right 90761867
Left 90761868

2 Crossbrace, pair (includes center bolt & nut)

16" W 90761876
18" W 90761877

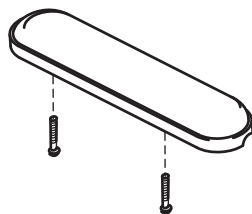
**3 Bottom inner rail kit (includes bottom
inner rail (2 each); screw and nut that
hold bottom inner rail (4 each); and
sleeve (2 each))**

..... 9P2731A1

4 Grip (10 each) 9BD82845

5 Seat rail guide (4 each) 9PE25300

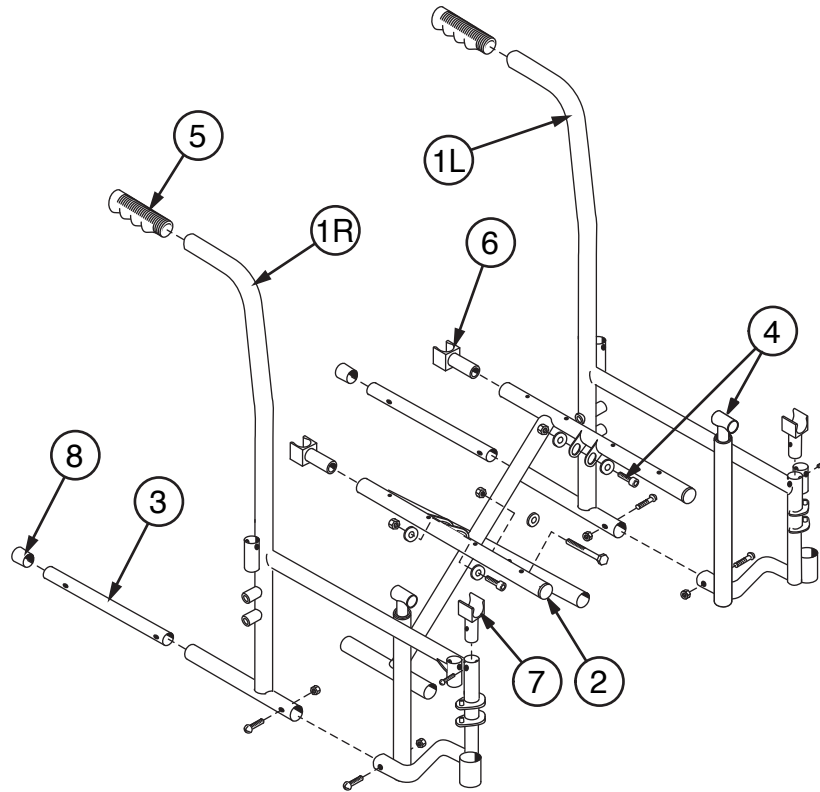
6 Tipping sleeve (10 each) 9B279690



ARM PAD KIT

Includes 2 Black Arm Pads & Mounting Screws
Full Length 9P190539

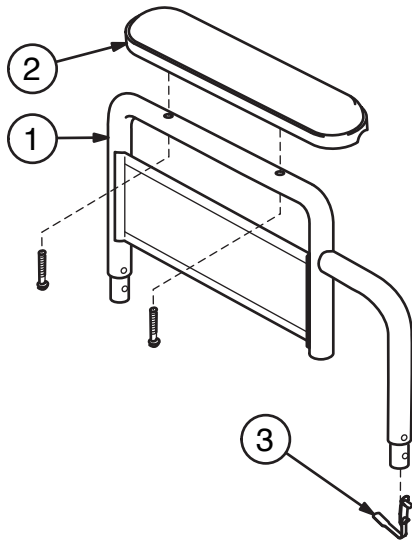
SIDEFAME (DETACHABLE ARM) & CROSSBRACE



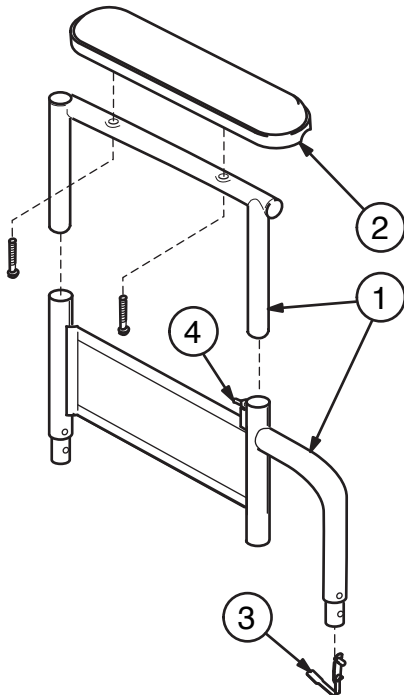
1 Sideframe, detachable arm, all widths	
Right	90761861
Left.....	90761862
2 Crossbrace, pair (Includes center bolt & nut)	
16" W.....	90761856
18" W.....	90761857
20" W.....	90761855
3 Bottom inner rail kit (includes bottom inner rail (2 each); screw and nut that hold bottom inner rail (4 each); and sleeve (2 each))	
.....	9P2731A1

4 Seat slide kit	
16" & 18" W (includes seat slide (2 each); screw (2 each); nut (2 each); and washer (4 each) that secure seat slide to crossbrace)	90761875
20" W" (includes seat slide (2 each); plastic insert (2 each); and screw (2 each) that secure seat slide to crossbrace)	90761878
5 Grip (10 each)	9BD82845
6 Seat rail guide, rear (4 each)	9PE25300
7 Seat rail cradle and screw, front (2 each)	90761874
8 Tipping sleeve (10 each)	9B279690

ARM, DETACHABLE

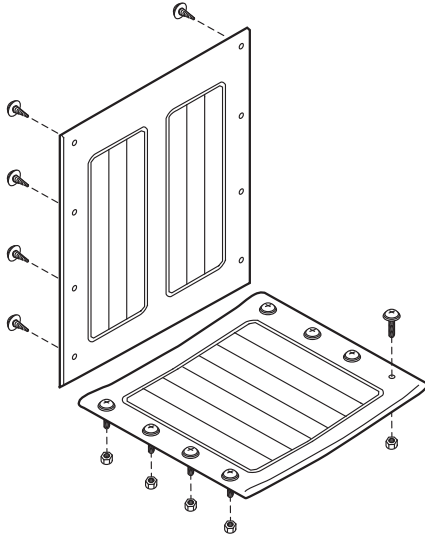


- | | | |
|----------|---|----------------|
| 1 | Arm, detachable fixed-height, pair
(includes right and left arm with side panel and spring lock (does not include arm pad)) | |
| | Desk length..... | 90761903 |
| | Full length | 90761904 |
| 2 | Arm pad, pair (includes two black arm pads and mounting screws) | |
| | Desk length..... | 9P190939 |
| | Full length | 9P190539 |
| 3 | Spring lock (10 each) | 9B232870 |



- | | | |
|----------|--|----------------|
| 1 | Arm, detachable adjustable-height desk length, pair (includes right and left upper and lower arm with side panel and spring locks (does not include arm pad)) | 90761905 |
| 2 | Arm pad, desk length, pair , (includes two black arm pads and mounting screws) | 9P190939 |
| 3 | Spring lock, lower (10 each) | 9B232870 |
| 4 | Spring lock, upper (10 each) | 9BB32890 |

UPHOLSTERY (ALL SIDEFAMES)



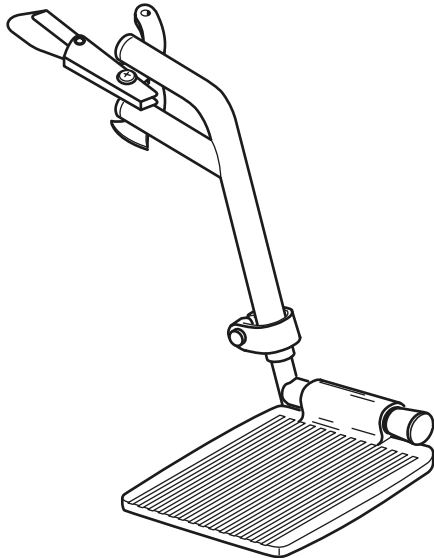
Back upholstery (includes mounting hardware)

16" W.....	907618A1
18" W.....	907618A2
20" W.....	907618A3

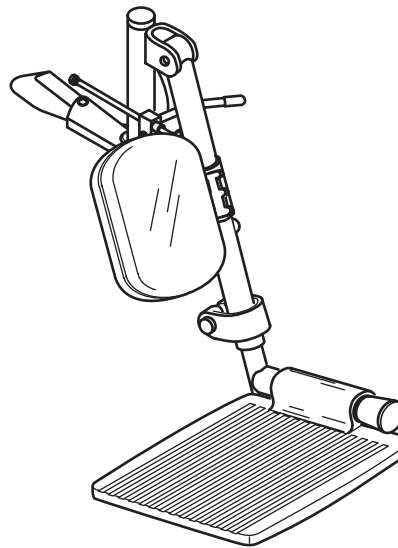
Seat upholstery (includes mounting hardware)

16" W & 16" D.....	907618B1
18" W & 16" D.....	907618B2
20" W & 16" D.....	907618B3

FRONT RIGGING



Footrest, pair, 16"-20" W, chrome hanger
(includes right and left hanger with release
and composite footplate with extension
..... 90761906

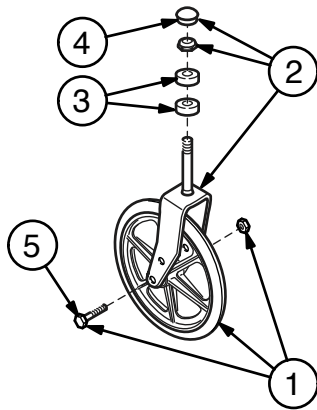


Elevating legrest, pair, all widths
Includes right and left hanger with release,
composite footplate with extension, and
legrest panel (does not include heel loop)
..... 90761907

Elevating legrest panel kit
Includes 2 black padded panels & hardware
..... 9P467239

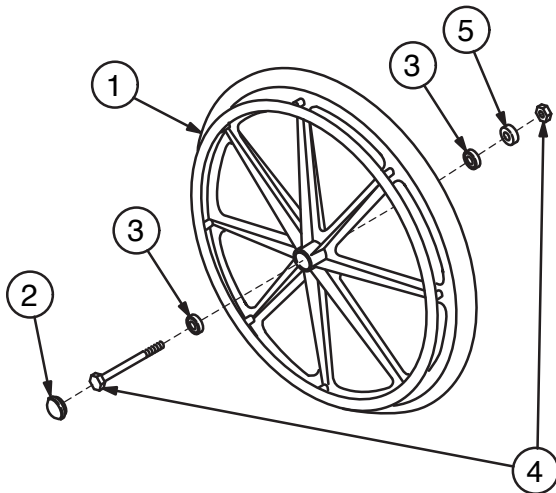
Footplate with legrest extension only
(hanger not included), pair 90761765

CASTER



Complete caster (fork and wheel), 8" x 1" solid rubber tire	90761865
1 Caster wheel, axle and nut.....	90010015
2 Caster fork, stem nut and dust cap...	90761866
3 Caster stem bearing (10 each).....	9B291976
4 Caster dust cap (10 each).....	9B291975
5 Caster axle and nut (10 each).....	9BE51680

REAR WHEEL



1 Rear wheel with integral handrim, 24" x 1" solid rubber tire (includes hub cap and bearing; does not include axle or nut).....	90-011B1
2 Hub cap (10 each).....	9B045035
3 Wheel bearing (10 each)	9B007700
4 Rear axle & nut (10 each)	
Fixed-arm sideframe.....	9B-07765
Detachable-arm sideframe	9B-07845
5 Spacer (10 each).....	9B007360

ACCESSORIES

Vista IC accessories (not shown)

1 Heel loop, pair.....	9A000002
2 Wheel lock, pair (includes rubber tips)	
Push to lock	
Fixed-arm sideframe	9P761063
Detachable-arm sideframe..	9P761061
Pull to lock	
Fixed-arm sideframe	9P761067
Detachable-arm sideframe..	9P761065
3 Rubber tip, wheel lock (10 each).....	9BD82746

4 Wheel lock extension, pair, 10 1/2"	9A000026
5 Positioning belt (metal buckle)	92133040
6 Anti-Fold bar	92523850
7 O2-IV holder.....	B10320E
8 Anti-Tippers (pair)	90761873
9 Seat extension kit (includes seat rail extensions and 18" deep seat upholstery)	
16" W	90761858
18" W	90761859
20" W	90761860

Everest & Jennings®

A Graham-Field Brand

Corporate Headquarters:

**Graham-Field Health Products
2935 Northeast Parkway
Atlanta, Georgia 30360 U.S.A.**

telephone: 800-347-5678, 770-447-1609

fax: 800-726-0601, 678-291-3232



www.grahamfield.com

**Vista® IC Parts Catalog
02002162 Revision E, August 2006**