

HEMI REAR WHEEL SPACER KIT: INSTALLATION INSTRUCTIONS

PLEASE SAVE THESE INSTRUCTIONS FOR FUTURE USE

Tools needed for this installation: Blade screwdriver, 3/4" wrench, 5/8" wrench, two 1/2" wrenches



Warning: Please read all instructions before installation. If any component is damaged or missing, contact your dealer immediately. DO NOT use substitute parts.



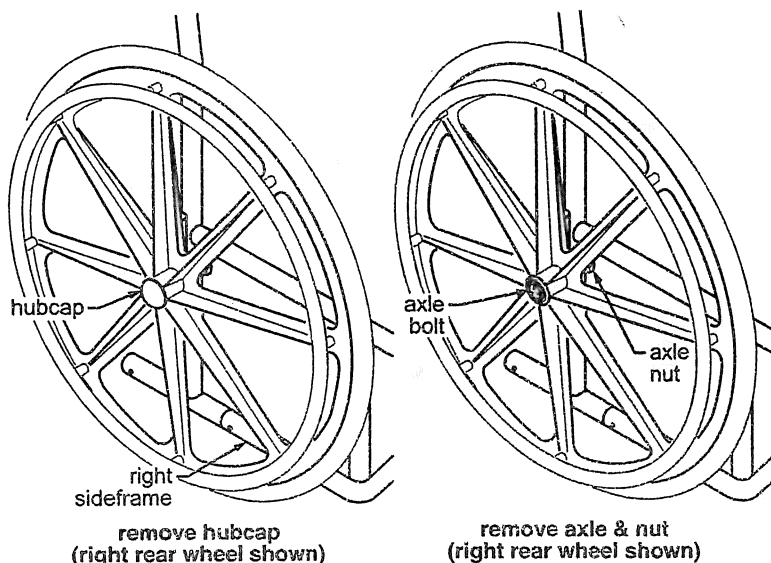
Warning: GF Health Products, Inc. assumes no responsibility for any damage or injury caused by improper installation, assembly or use of this product.

The rear wheel spacer kit is necessary when changing seat height from standard to low (hemi position), to provide proper clearance between rear wheels and sideframes. You will remove both rear wheels and casters, change axle positions, then reinstall. If new, longer rear axle bolts are provided, use them; the old ones may not be long enough.

Remove rear wheels

See pictures at right.

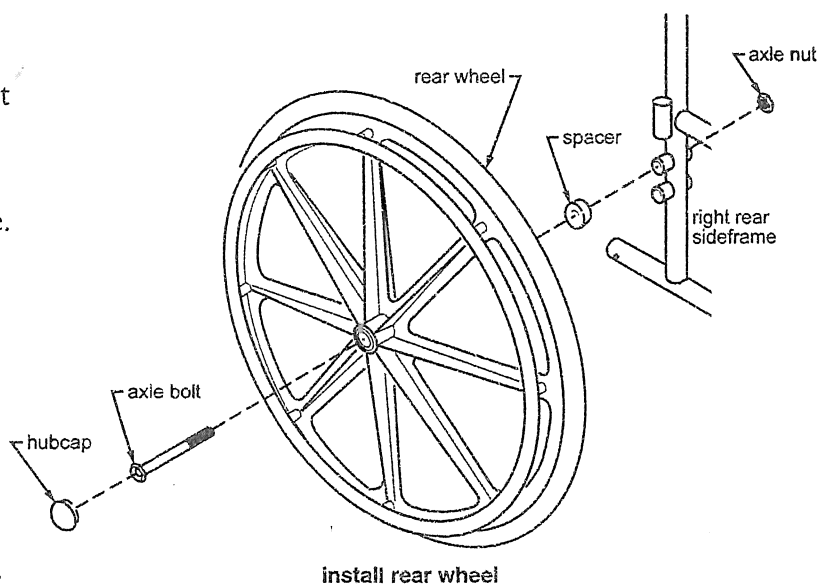
1. Use a blade screwdriver to carefully remove hubcap.
2. Use a 3/4" wrench and a 5/8" wrench to remove axle bolt and nut.
3. Remove wheel, taking car mounting hardware. Ensure that bearings remain seated in wheel hub.
4. Repeat steps 1-3 for other wheel.



Install rear wheels

See picture at right.

1. Insert axle bolt through rear wheel.
2. Install spacer on axle between wheel and sideframe. Insert axle into highest wheel bushing as shown at right.
3. Adjust axle to remove any looseness and install nut to secure axle to frame.
4. Use 3/4" wrench and 5/8" wrench to tighten nut on axle bolt.
5. Ensure that wheel turns freely after tightening without wobbling or binding.
6. Press hubcap on until it clicks into place.
7. Repeat steps 1-6 for other rear wheel.

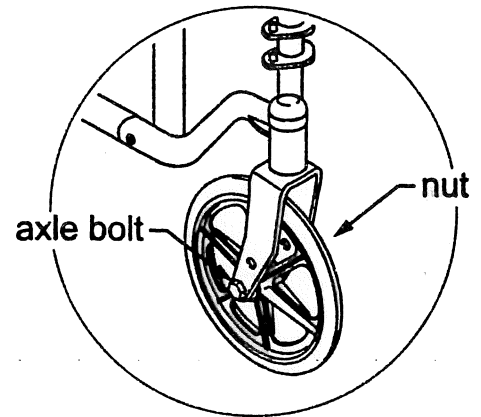


Warning: Ensure that mounting hardware is securely fastened. Ensure that both wheels are securely mounted in identical positions and turn freely, without wobbling or binding.

Remove casters

See picture at right.

1. Use two 1/2" wrenches to remove axle bolt and nut.
2. Remove caster wheel, taking care not to lose mounting hardware. Ensure that bearings remain seated in wheel hub.
3. Repeat steps 1-2 for other caster.

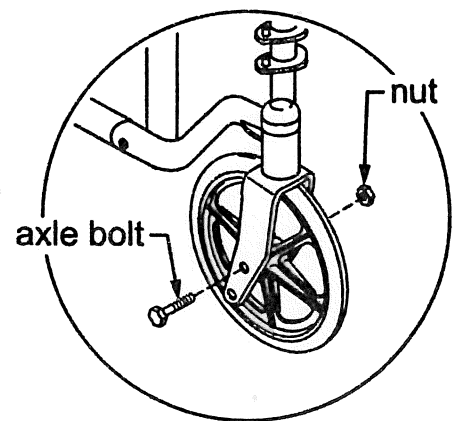


**remove caster wheel
(right caster shown)**

Install casters

See picture at right.

1. Insert axle bolt through spacers, caster wheel and highest caster fork hole.
2. Adjust axle to remove any looseness and install nut to secure axle to caster fork.
3. Use two 1/2" wrenches to tighten nut on caster axle bolt.
4. Ensure that wheel turns freely after tightening without wobbling or binding.
5. Repeat 1-4 for other caster wheel.



**install caster wheel
(right caster shown)**



Warning: Ensure that mounting hardware is securely fastened. Ensure that both caster wheels are securely mounted in identical positions and turn freely, without wobbling or binding.