

Tools needed: Two 9/16" wrenches

Note: The most current version of these instructions can be found online at www.grahamfield.com

The GF6500B-1 Assist Bar is intended for homecare use or institutional use with Patriot™ beds. Ensure that you have read and understood the following safety information before installing or using the Assist Bar.

⚠ WARNING: Important! Read and understand these instructions before installing or using the GF6500B-1 Patriot™ Liberty Assist Bar. If you do not understand any part of these warnings, cautions or instructions, contact a healthcare professional for direction in the use of this product. If the assist bar is not properly installed and adjusted, personal injury and damage to the assist bar and bed could result.

Entrapment may occur. The bed frame and its components, including the mattress, bed side rails, head and foot board, bedding, and any accessories added to the bed, can all affect the risk of entrapment. Thorough patient assessment and monitoring are necessary to reduce the risk of entrapment, including establishing whether the use of a bed rail is in the best interest of the patient. Patients most vulnerable to entrapment are those who are frail, confused, restless, or who have uncontrolled body movement.

For information on Bed Rail safety, please see the following brochure: "A Guide to Bed Safety: Bed Rails in Hospitals, Nursing Homes and Home Health Care: The Facts" on the FDA website, at <http://www.fda.gov/cdrh/beds/>

⚠ WARNING: The assist bar is intended as a transfer bar or assist bar to aid the patient with bed entry and exit or patient movement or adjustment while in bed. It is not intended to prevent patients from rolling out of bed, nor is it intended as a restraint device. DO NOT use the assist bar as a restraint. The assist bar should only be used when bed rails are not required.

⚠ WARNING: If components are damaged or missing, contact your dealer immediately. DO NOT use substitute parts. Use only Lumex® replacement parts. The use of non-Lumex® replacement parts could cause entrapment, personal injury, and damage to the assist bar.

⚠ WARNING: DO NOT push or pull the bed by the assist bar.

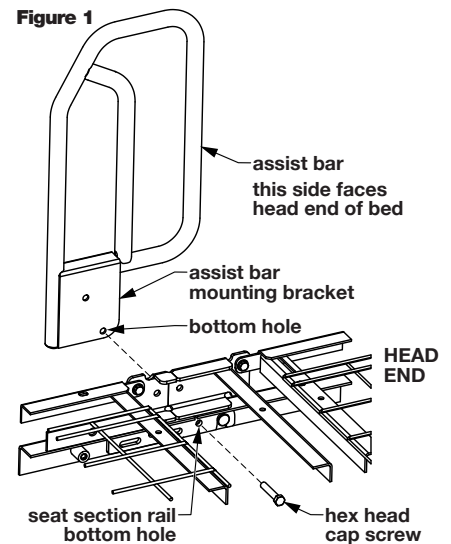
⚠ WARNING: GF Health Products, Inc. assumes no responsibility for any damage or injury caused by improper installation or use of this product.

COMPONENTS

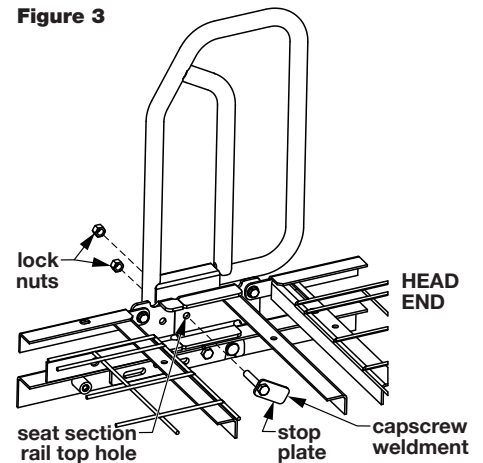
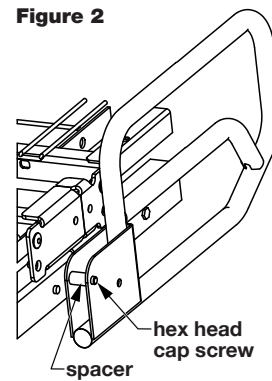
Description	Part Number	Quantity
Assist bar	690-3300-901	1
Capscrew weldment (3/8-16)	690-3300-902	1
Hex head cap screw (3/8-16 x 2)	100-5438-027	1
Spacer (.5 ID x .63 OD x 1)	999-0702-105	1
Nylon lock nut (3/8-16)	100-6738-004	2

INSTALLATION

- From the inside of the bed, insert the hex head cap screw through the seat section rail bottom hole as shown in Figure 1.
Note: You may have to lift up on the bottom of the rail slightly until the holes align.



2. Rotate the assist bar downward as shown in Figure 2. Insert the white plastic spacer inside the assist bar mounting bracket so that it aligns with both bottom holes. Slide the entire assist bar assembly onto the exposed hex head cap screw as shown.
3. Rotate the assist bar back up to its vertical position as shown in Figure 3. From the inside of the bed, insert the capscrew weldment into the top hole with the stop plate facing the head end of the bed.
4. Install the lock nuts on the ends of the capscrew weldment and hex head cap screw and secure them, using two $\frac{9}{16}$ " wrenches on the bottom screw and one on the top (the cap-screw weldment's stop plate will work as a second wrench on the inside of the frame).



⚠ WARNING: Before use, ensure that the assist bar is assembled and installed as described, that all attaching hardware is securely tightened, and that the assist bar is securely in place.

OPERATION

⚠ WARNING: When using the assist bar to sit up and exit or enter the bed, ensure that the knee and foot deck sections are not elevated, which could result in bed damage and serious personal injury.

⚠ WARNING: When entering and exiting the bed, ensure the locking casters are locked to minimize bed movement, which could create a hazardous condition resulting in serious personal injury.

MAINTENANCE

⚠ WARNING: During use, inspect the assist bar frequently to ensure that all attaching hardware is securely tightened and the assist bar is securely in place.

To clean the assist bar, wash it with soap and water or a mild detergent, then rinse with water.

▲ Caution: Never use abrasive cleaners or scouring pads on any part of the assist bar.

WARRANTY

GF Health Products, Inc. warrants the GF6500B-1 Patriot™ Liberty Assist Bar against manufacturer's defects for a period of three years. If a product is deemed to be under warranty, GF Health Products, Inc. shall provide, at its option, (1) replacement of any defective part or product or (2) a credit of the original selling price made to GF Health Products, Inc.'s initial customer. The warranty does not include any labor charges incurred in replacement part(s) installation or any associated freight or shipping charges to GF Health Products, Inc.



GRAHAM-FIELD

GF Health Products, Inc. is not responsible for typographical errors. Packaging, warranties, products and specifications are subject to change without notice. Graham-Field and Lumex are registered trademarks of GF Health Products, Inc.

© July 2009 GF Health Products, Inc. • 2935 Northeast Parkway • Atlanta, GA 30360 • tel 800-347-5678 • fax 800-721-0601 • www.grahamfield.com