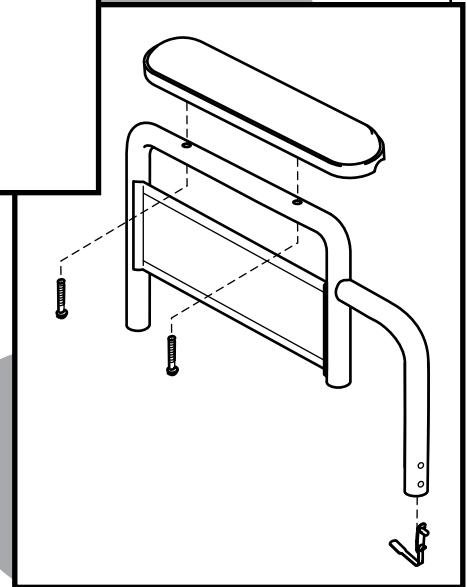
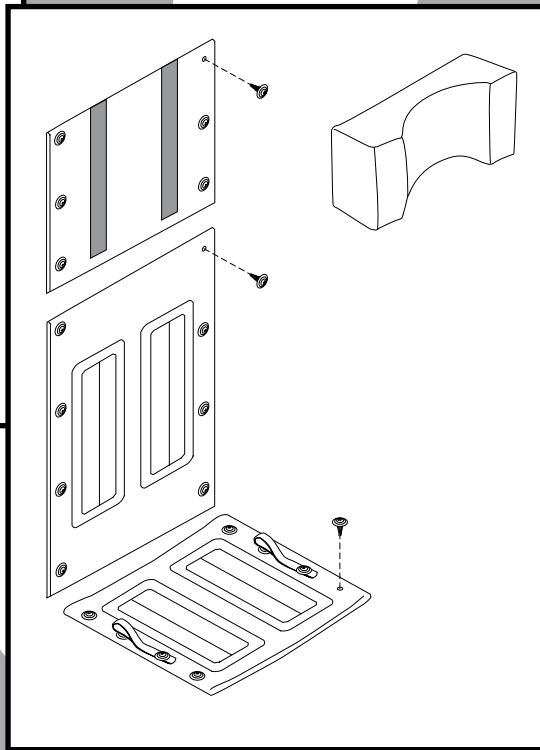
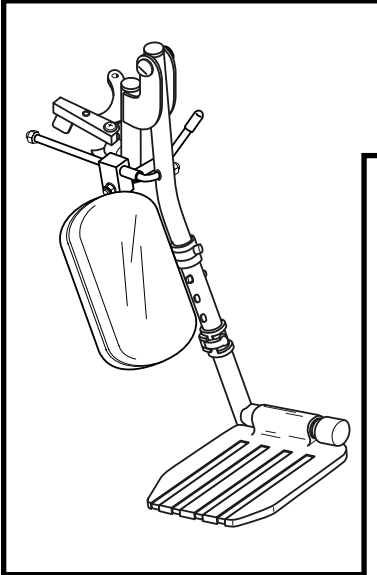


Advantage[®] **Recliner** **PARTS CATALOG**



CONTENTS

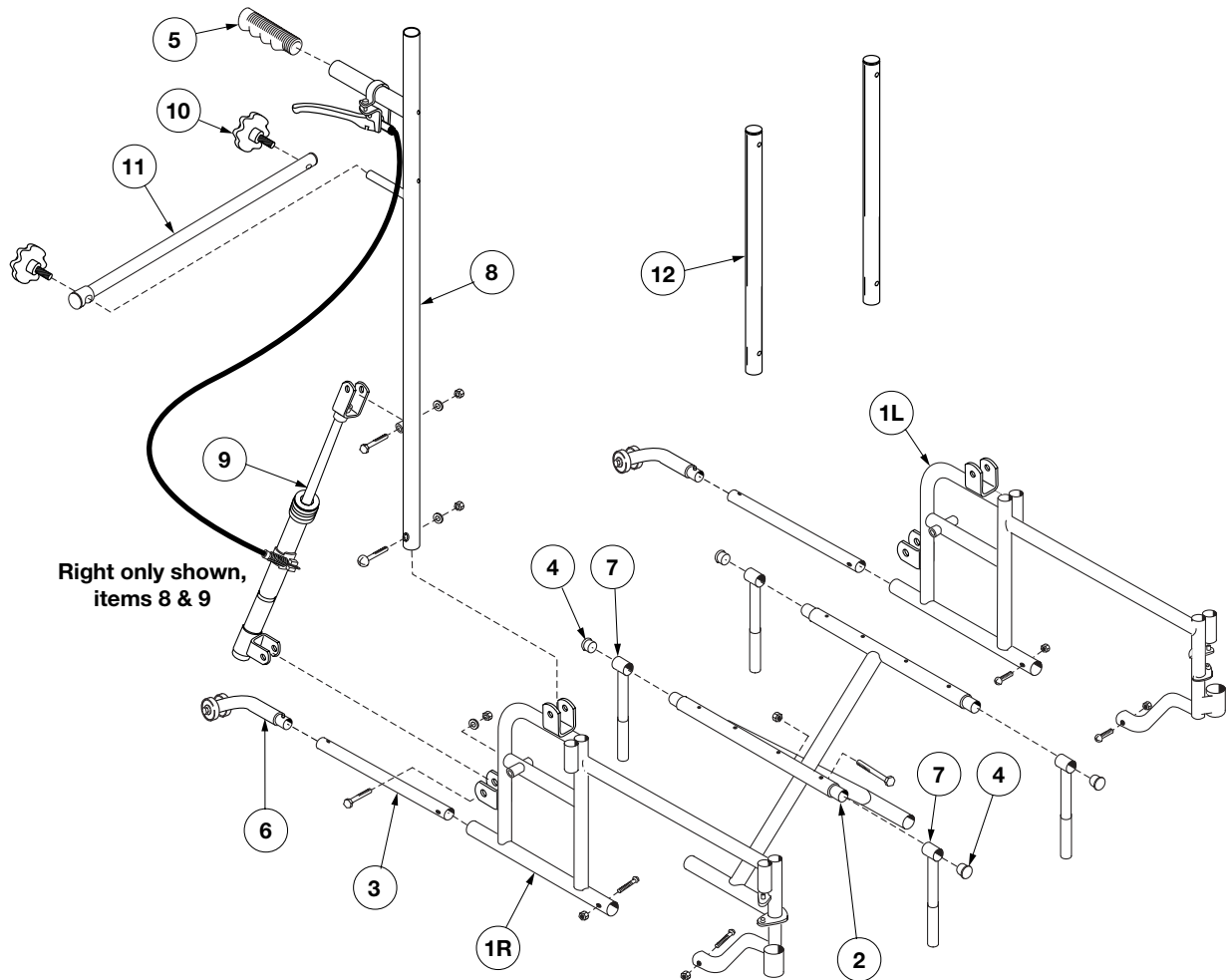
FRAME AND CROSSBRACE	3
ARM	4
CASTER.....	4
UPHOLSTERY	5
FRONT RIGGING, DETACHABLE	6
REAR WHEEL	7
ACCESSORIES	7

TO ORDER

Tel: 1-770-368-4700 • Fax: 1-770-368-2386

Returns: Parts may not be returned without prior authorization from GF Health Products, Inc. Custom parts cannot be returned for credit. Please refer to GF Health Products, Inc. [Terms and Conditions](#) for further information.

FRAME AND CROSSBRACE



Right only shown,
items 8 & 9

1 Sideframe

16" x 17", 18" x 17", 20" x 17"

Right..... 90763701

Left 90763702

22" x 19"

Right..... 90763707

Left 90763708

2 Crossbrace, pair; includes center bolt and nut

16" wide x 17" deep 907637A1

18" wide x 17" deep 907637A2

20" wide x 17" deep 907637A3

22" wide x 19" deep 907637A4

3 Bottom inner rail kit; includes bottom inner rail, 2 each; mounting screw and nut, 4 each; and sleeve, 2 each.....

90763703

4 Plug, seat rail, set of 4 90763704

5 Grip, black, 10 each 90763005

6 Anti-tipper, pair

16" x 17", 18" x 17", 20" x 17" 90763730

22" W x 19" 90763067

7 Seat slide, front and rear

16" - 18" wide, pair 90763705

20" wide, set 90763706

22" wide, set 90763709

8 Backpost, cable and trigger, pair; includes cable mounting hardware.....

90763710

9 Mech-lock, pair; includes

mounting hardware..... 90763715

10 Spreader bar knob, pair..... 90763725

11 Spreader bar

16" wide 907637E1

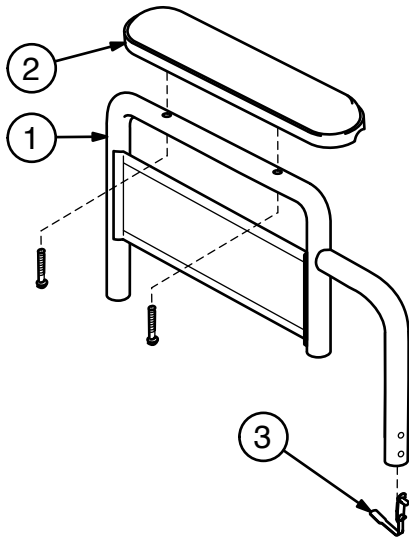
18" wide 907637E2

20" wide 907637E3

22" wide 907637E4

12 Headrest post, pair..... 90763720

ARM

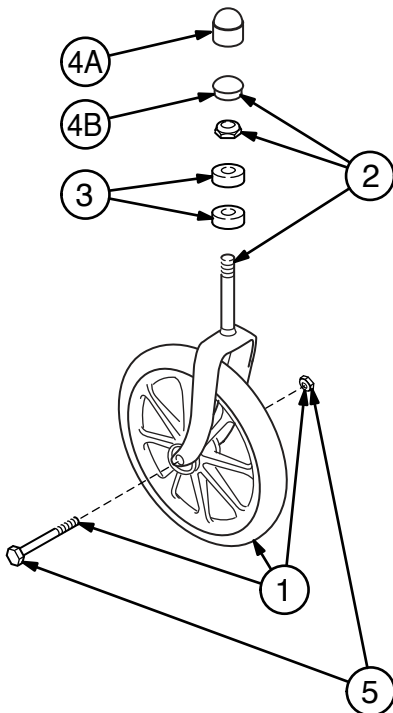


- 1 **Arm, detachable fixed-height, pair:**
Includes right and left arm with side panel and spring lock (does not include arm pad)
 Desk length..... 90763020
 Full length..... 90763021

- 2 **Arm pad, pair:** Includes two black arm pads and mounting screws
 Desk length..... 90763022
 Full length..... 90763023

- 3 **Spring lock (10 each)** 90763024

CASTER



- Complete castor (fork and wheel), 8" x 1" solid rubber tire**
 16" x 17", 18" x 17", 20" x 17" 90763560
 22" W x 19" 90763570

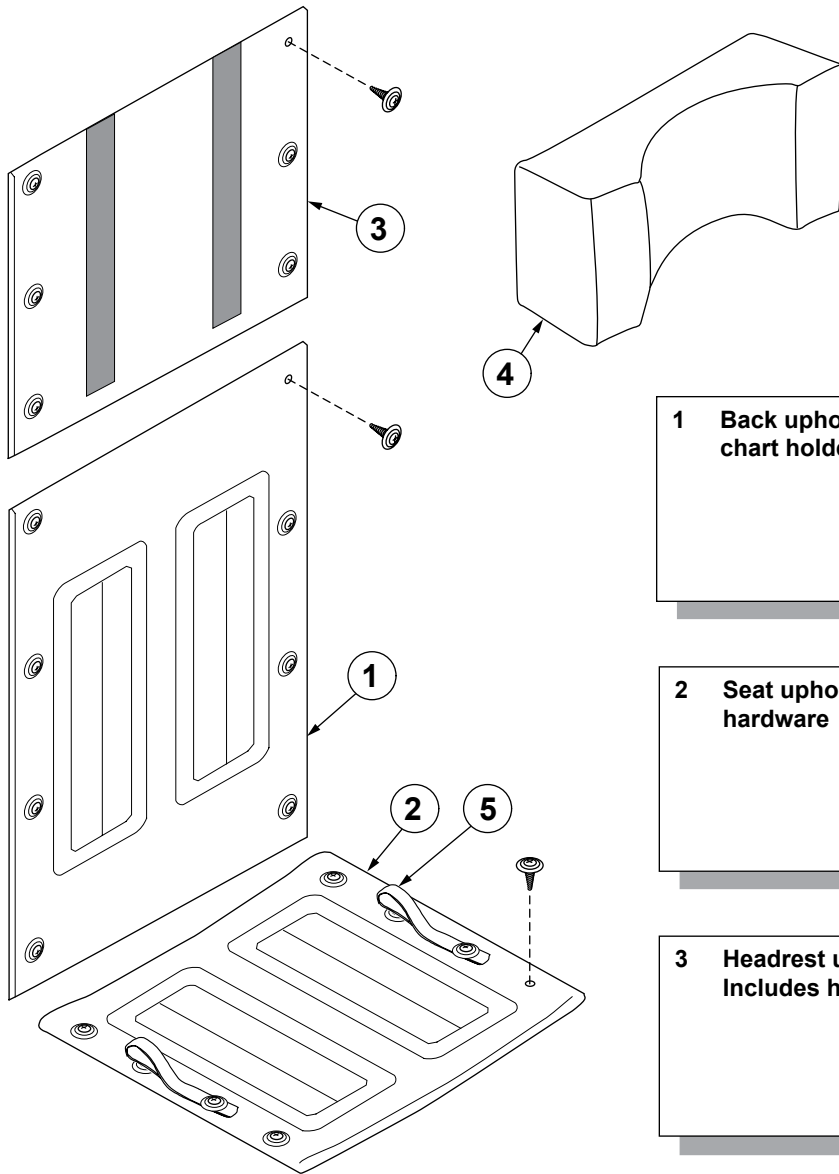
- 1 **Castor wheel, axle and nut**
 16" x 17", 18" x 17", 20" x 17" 90763561
 22" W x 19" 90763571

- 2 **Castor fork, stem nut and dust cap**
 16" x 17", 18" x 17", 20" x 17" 90763562
 22" W x 19" 90763572

- 3 **Castor stem bearing (10 each)**
 16" x 17", 18" x 17", 20" x 17" 90763563
 22" W x 19" 90763573

- 4 **Castor dust cap (10 each)**
 A 16" x 17", 18" x 17", 20" x 17" 90763544
 B 22" W x 19" 90763044

- 5 **Castor axle and nut (10 each)**
 16" x 17", 18" x 17", 20" x 17" 90763564
 22" W x 19" 90763574



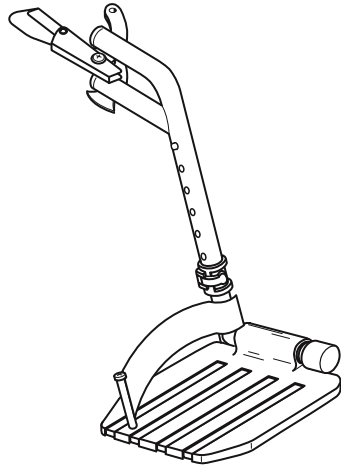
- 1 Back upholstery, black vinyl, with built-in chart holder: Includes hardware**
- | | |
|----------------|----------|
| 16" wide | 907637B1 |
| 18" wide | 907637B2 |
| 20" wide | 907637B3 |
| 22" wide | 907637B4 |

- 2 Seat upholstery, black vinyl: Includes hardware**
- | | |
|---------------------------|----------|
| 16" wide x 17" deep | 907637C1 |
| 18" wide x 17" deep | 907637C2 |
| 20" wide x 17" deep | 907637C3 |
| 22" wide x 19" deep | 907637C4 |

- 3 Headrest upholstery, black vinyl: Includes hardware**
- | | |
|----------------|----------|
| 16" wide | 907637D1 |
| 18" wide | 907637D2 |
| 20" wide | 907637D3 |
| 22" wide | 907637D4 |

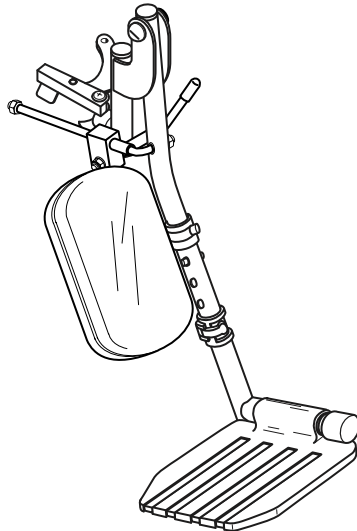
- 4 Headrest cushion, black vinyl..... 90763735**
- 5 Carry strap, black vinyl, pair: Includes hardware..... 90763740**

FRONT RIGGING, DETACHABLE



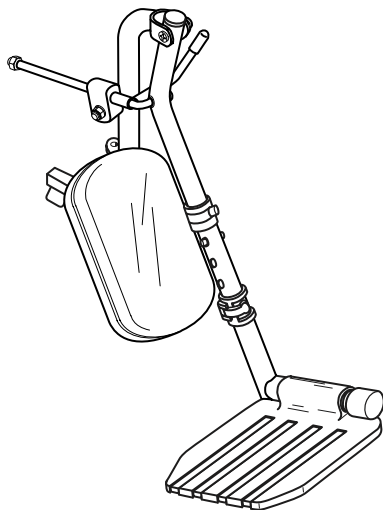
Footrest, pair, all widths
Includes right and left hanger with release
and composite footplate with extension
and heel loop 90763030

Composite footplate, pair
(Fits all front rigging) 90763033



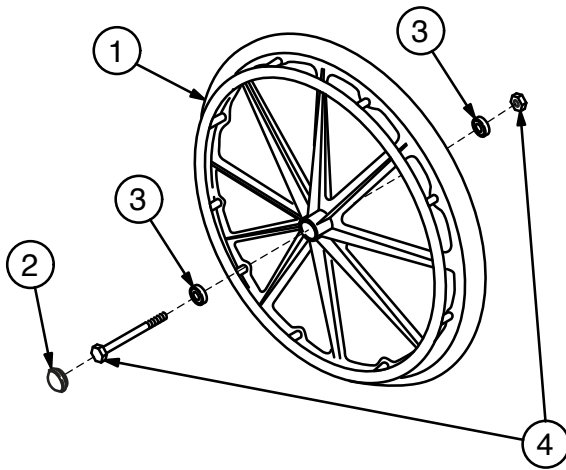
Low-pivot elevating legrest, pair, all widths
Includes right and left hanger with release,
composite footplate with extension, and
legrest panel (does not include
heel loop) 90763031

Elevating legrest panel kit
(Fits all elevating legrests)
Includes 2 black padded panels
and hardware90763032



High-pivot elevating legrest, pair, all widths
Includes right and left hanger with release,
aluminum footplate with extension, and
legrest panel (does not include
heel loop)90763435

REAR WHEEL



1 Rear wheel with handrim, 24" x 1", solid rubber tire: Includes hub cap and bearing; does not include axle or nut	90763550
2 Hub cap (10 each).....	90763051
3 Wheel bearing (10 each)	90763552
4 Rear axle and nut (10 each).....	90763554

ACCESSORIES

Advantage Recliner accessories (not shown)

1 Heel loop, pair.....	90763064
2 Wheel lock, pair: Includes rubber tips	
Push to lock.....	90763060
Pull to lock.....	90763061
3 Rubber tip, wheel lock (10 each).....	90763063
4 Wheel lock extension, pair	90763062
5 Positioning belt	
Airline-style metal buckle, adjusts 27"-47"	92133040
Auto-style push-button, adjusts 27"-37".....	300-505
6 Anti-Fold bar.....	92523850



1.770.368.4700

Information contained herein is subject to change.
The most current and complete product information can be found on our website.
www.grahamfield.com

Follow us on



© 2013, GF Health Products, Inc. All Rights Reserved.

Advantage, E&J, and Everest & Jennings are trademarks of
GF Health Products, Inc., One Graham-Field Way, Atlanta GA 30340-3140

GF Health Products, Inc. is an ISO 13485 Certified Company.