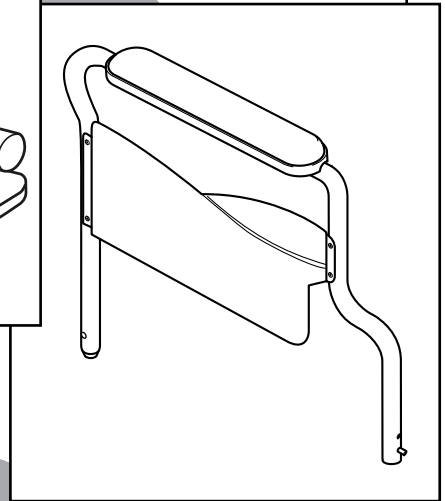
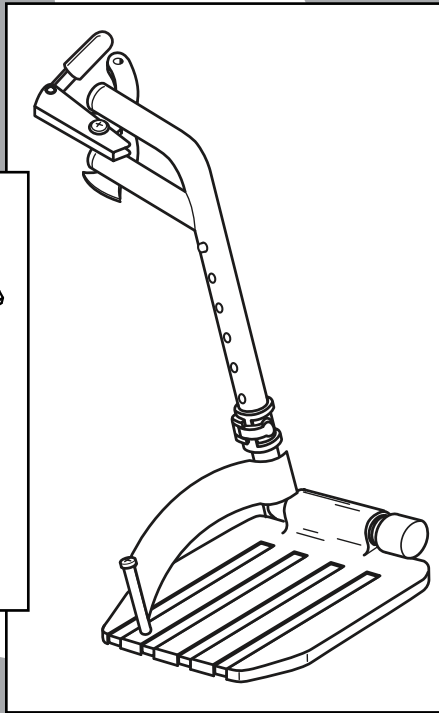
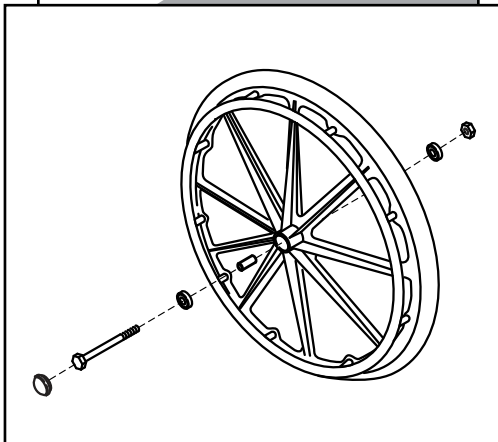




PARTS CATALOG



CONTENTS

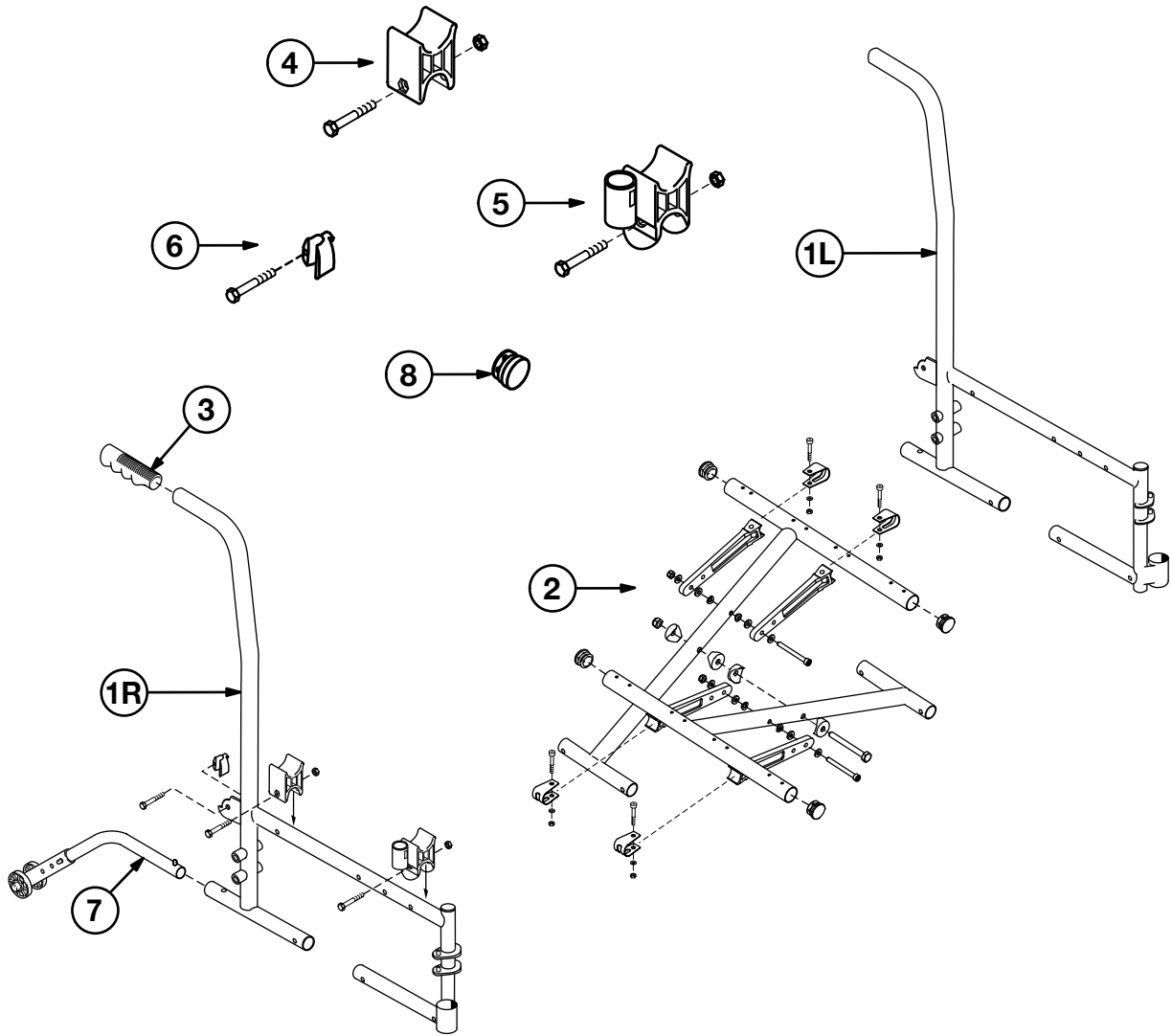
SIDEFAME AND CROSSBRACE	3
ARM: FLIP-BACK FIXED-HEIGHT	4
ARM: FLIP-BACK ADJUSTABLE-HEIGHT	4
REAR WHEEL	5
CASTER.....	5
FOOTREST, SWINGAWAY AND DETACHABLE.....	6
ELEVATING LEGREST, SWINGAWAY AND DETACHABLE	6
UPHOLSTERY	7
ACCESSORIES	7

TO ORDER

Tel: 1-770-368-4700 • Fax: 1-770-368-2386

Returns: Parts may not be returned without prior authorization from GF Health Products, Inc. Custom parts cannot be returned for credit. Please refer to GF Health Products, Inc. [Terms and Conditions](#) for further information.

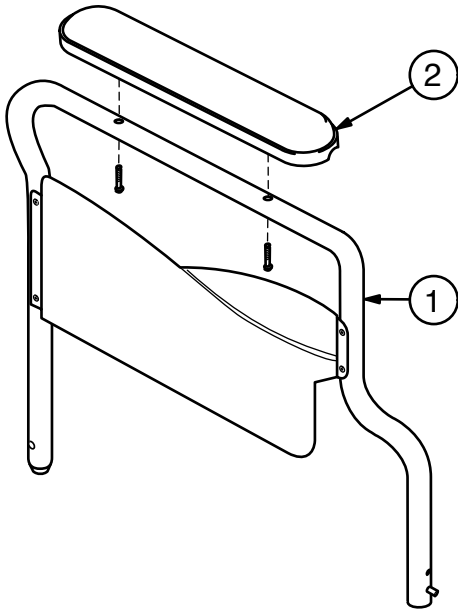
SIDEFRADE AND CROSSBRACE



- 1 Sideframe and backpost, all widths**
 - 16" deep Right..... 90763201A
 - 16" deep Left 90763202A
- 2 Crossbrace, pair (Includes center bolt and nut, 4 crossbrace links, 4 plugs and mounting hardware)**
 - 16" W x 16" deep..... 907632C1A
 - 18" W x 16" deep..... 907632C2A
 - 20" W x 16" deep..... 907632C3A
- 3 Grip (10 each) 90763005A**

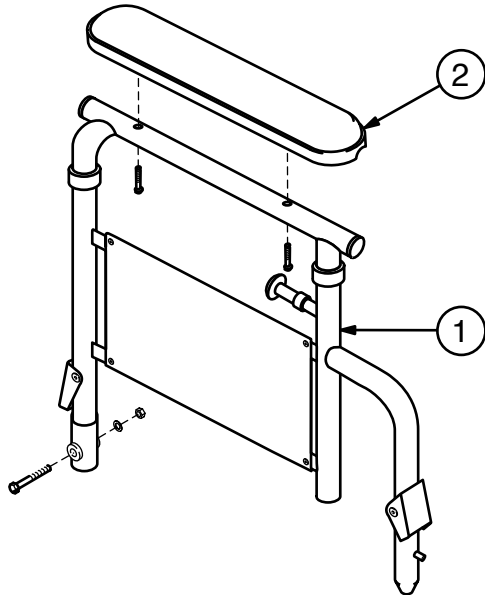
- 4 Rear seat rail cradle, pair (includes 2 each and mounting hardware) 90763206A**
- 5 Front seat rail and arm cradle, pair (includes 2 each and mounting hardware) 90763208A**
- 6 Arm bracket, pair (includes 2 each and mounting hardware) 90763210A**
- 7 Anti-Tippers, pair..... 90763230A**
- 8 Seat rail plug (4 each) 907633CSE**

ARM: FLIP-BACK FIXED-HEIGHT



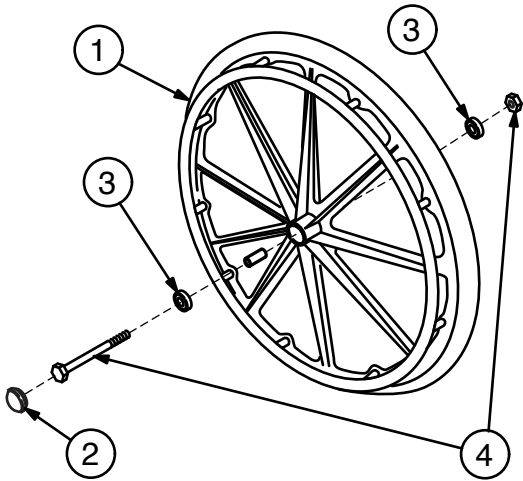
- 1 Arm, flip-back fixed-height, pair
(includes right and left arm with
mounting hardware, side panel,
latch, and arm pad)
 - Desk length (shown) 90763231A
 - Full length 90763232A
- 2 Arm pad only, pair
(includes two black arm pads
and mounting screws)
 - Desk length (shown) 90763022A
 - Full length 90763023A

ARM: FLIP-BACK ADJUSTABLE-HEIGHT



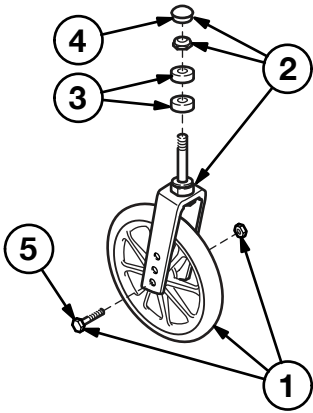
- 1 Arm, flip-back adjustable-height,
desk length, pair
(includes right and left arm with
mounting hardware, side panel,
latch, and arm pad) 90763227
- 2 Arm pad only, desk length, pair
(includes two black arm pads
and mounting screws) 90763022A

REAR WHEEL



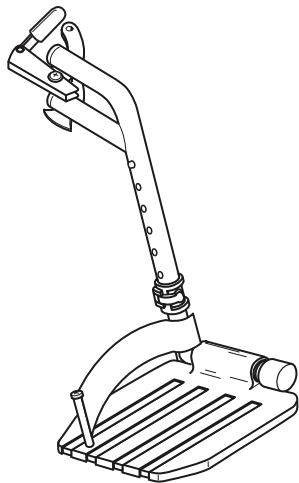
- 1 Rear wheel with handrim, 24" x 1", polyurethane tire (includes hub cap, bearings, and spacer; does not include axle or nut)..... 90763150A
- 2 Hub cap (10 each)..... 90763051A
- 3 Wheel bearing (10 each) 90763052A
- 4 Rear axle and nut (10 each)..... 90763053A

CASTER



- Complete caster (fork and wheel), 8" x 1" solid rubber tire..... 90763040A
- 1 Caster wheel, axle bearings, axle and nut 90763041A
- 2 Caster fork, stem nut and dust cap 90763042A
- 3 Caster stem bearing (10 each) 90763043A
- 4 Caster dust cap (10 each)..... 90763044A
- 5 Caster axle and nut (10 each)..... 90763045A

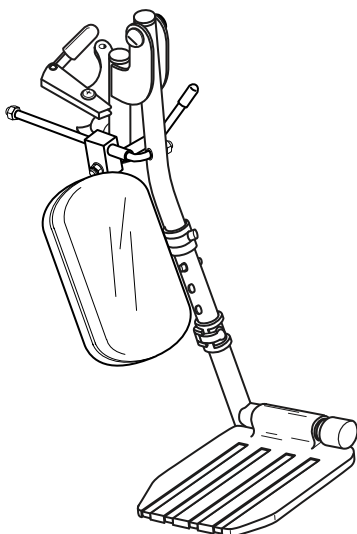
FOOTREST, SWINGAWAY AND DETACHABLE



Footrest, pair, all widths
Includes right and left hanger with
release and black composite footplate
with extension and heel loop 90763030A

Black composite footplate, pair 90763033A

ELEVATING LEGREST, SWINGAWAY AND DETACHABLE

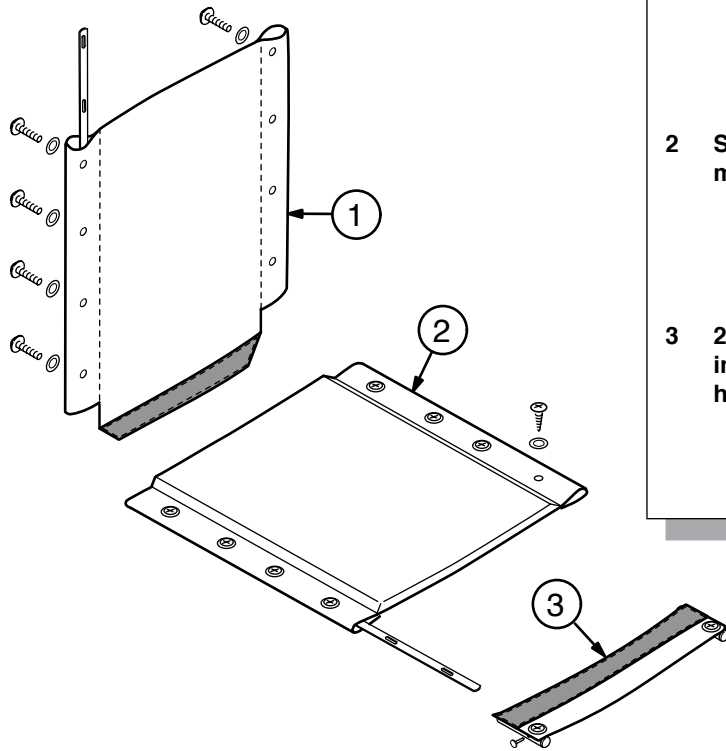


Low-pivot elevating legrest, pair, all widths
Includes right and left hanger with release,
composite footplate with extension, and
legrest panel (does not include
heel loop) 90763031A

Black composite footplate, pair90763033A

Elevating legrest panel kit
Includes 2 black padded panels
and hardware90763032A

UPHOLSTERY



1	Back upholstery, black nylon, and mounting hardware	
	16" W.....	907632A1A
	18" W.....	907632A2A
	20" W.....	907632A3A
2	Seat upholstery, black nylon, and mounting hardware	
	16" W x 16" D.....	907632B1A
	18" W x 16" D.....	907632B2A
	20" W x 16" D.....	907632B3A
3	2" Seat extension kit, black nylon, includes tubes and mounting hardware	
	16" W.....	90763SE16
	18" W.....	90763SE18
	20" W.....	90763SE20

ACCESSORIES

Traveler L3 Plus accessories (not shown)

1	Heel loop, pair.....	90763064A
2	Wheel lock, pair, push to lock (includes rubber tips).....	90763070A
3	Wheel lock extension, pair	90763062A
4	Positioning belt (auto style)	300-505
5	Anti-Fold bar	92523850
6	O2-IV holder	B10320F
7	O2 cylinder holder.....	B10325
8	Tipping sleeve (10 each).....	90763006A



1.770.368.4700

Information contained herein is subject to change.
The most current and complete product information can be found on our website.
www.grahamfield.com

Follow us on   

© 2016, GF Health Products, Inc. All Rights Reserved.

Everest & Jennings and Traveler are trademarks of
GF Health Products, Inc., One Graham-Field Way, Atlanta GA 30340-3140

GF Health Products, Inc. is an ISO 13485 Certified Company.